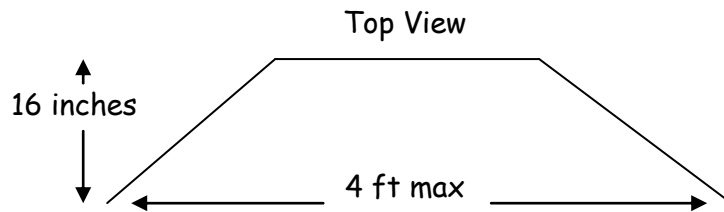
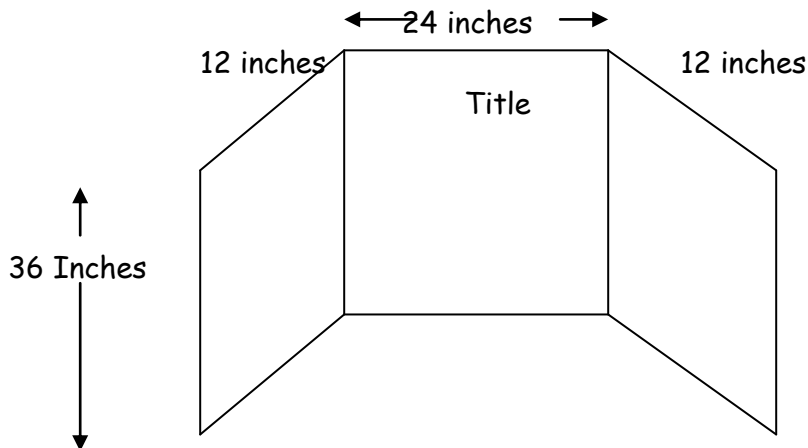


Your Display

1. The backboard should be a 2- or 3- sided shape within the size limitations stated below.
2. When displayed, the project should not occupy more than 4 feet of length and 16 inches of depth (see "top view" diagram).
3. Backboards may be made of any suitable material that is able to support its own weight.
4. The center panel should contain the project title (lettering should be clear and large enough for someone to see from a distance) and any visual material (photos, drawings, etc).
5. Side panels should have supporting material (more photos, drawings, graphs, charts, etc).
6. If you are doing an experiment, it is suggested that you state the problem on the front panel, put the hypothesis and procedure on the left panel, and the results and conclusion on the right panel.



MAXIMUM SIZE



MINIMUM SIZE

